



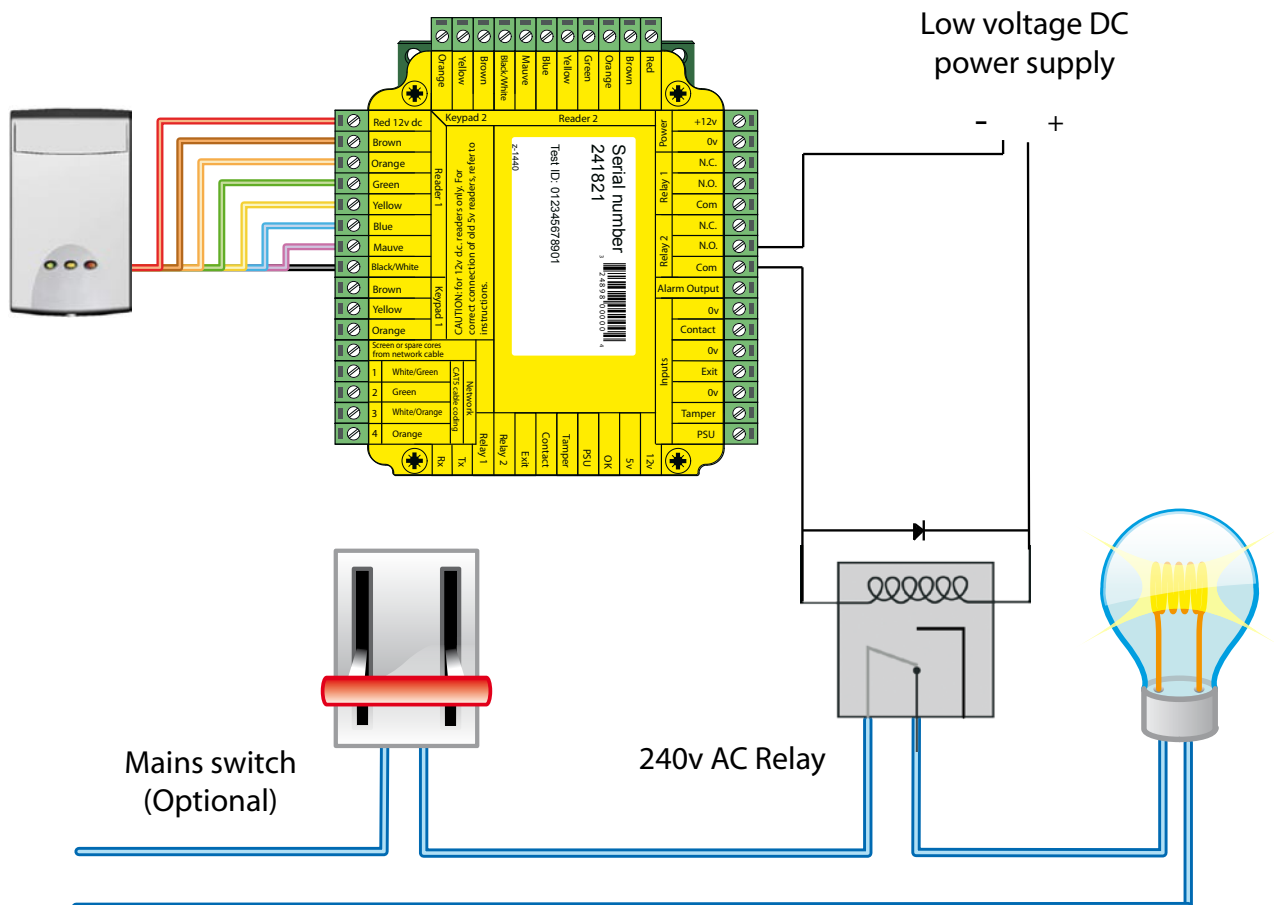
AN1088 - Using the energy saving reader to switch mains power

Leaving appliances on when a room is empty is simply a waste of energy and money. By incorporating an energy saving reader to control the lights, air conditioning, etc there is a guarantee that they will be turned off after use since the user requires their proximity card for access around the site.

They can also be fitted to safety critical machines where the presence of a card is required to power up the device.

The reader has a special cover that is designed to retain a user card. The presence of a card in the reader can then be used with a Paxton controller to provide a volt free relay toggled output to directly switch low voltage (less the 40v DC) circuits.

If there is a need to switch mains power (lighting, air conditioning, etc) a mains contact relay must be wired in series, as below:



The Switch2 controller can be used for the same function. Set the unit to operate in toggle mode with a function card. The mains relay is again wired across the COM/NO/NC Switch2 terminals as required.

NOTE: The reader only monitors one card at a time and so a short 'off' period will occur if the user card in the holder is exchanged for another.